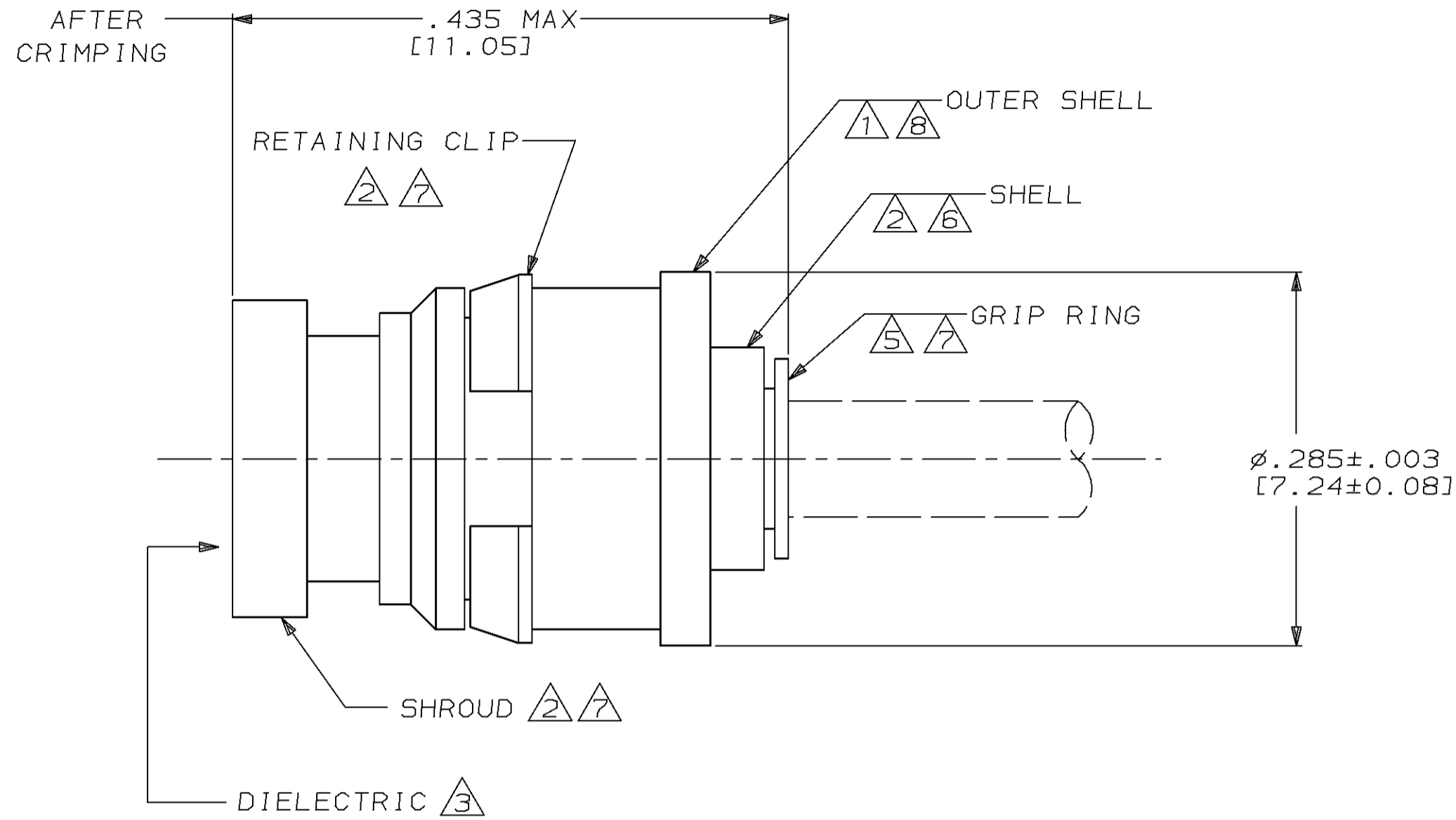
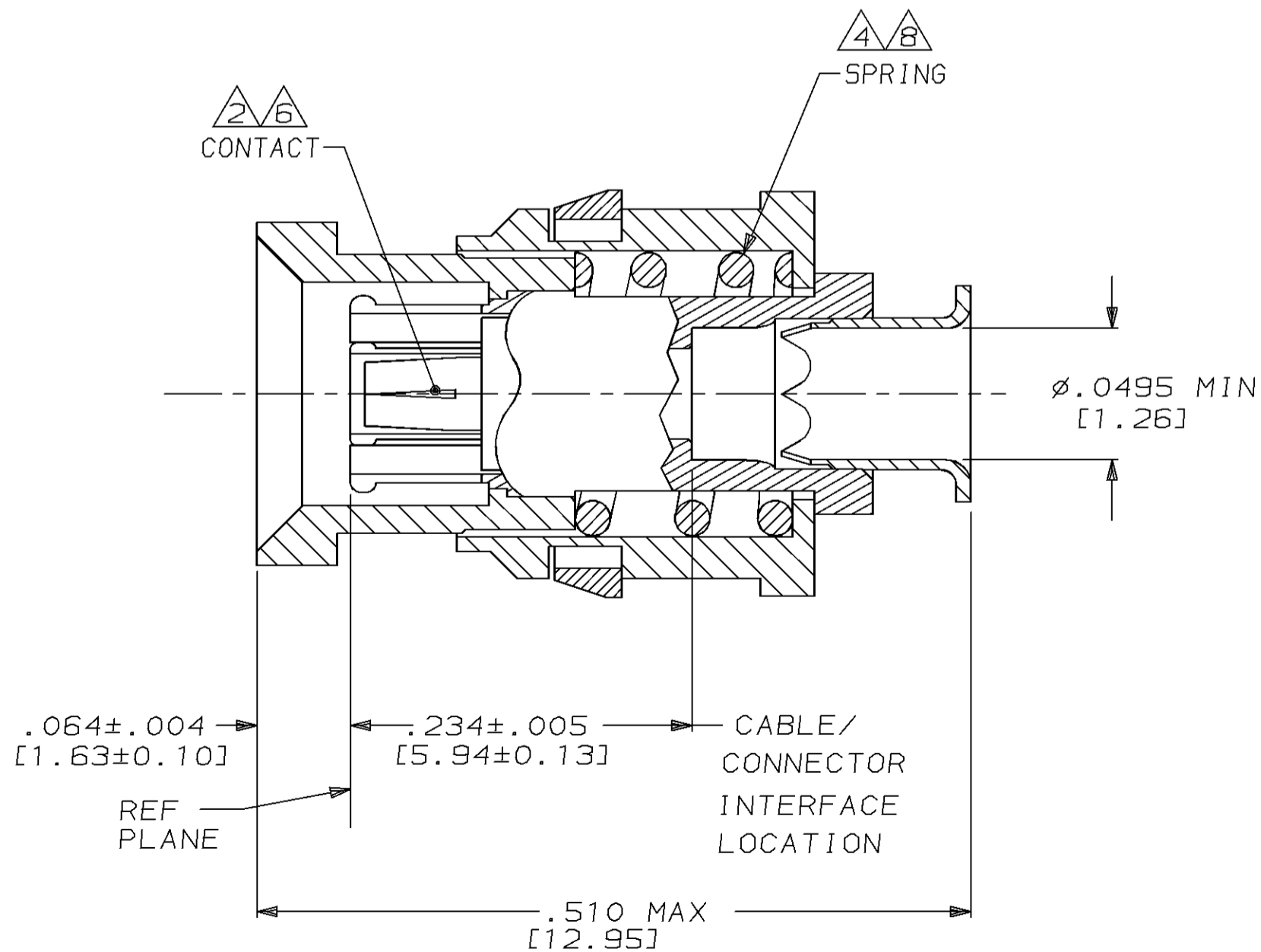
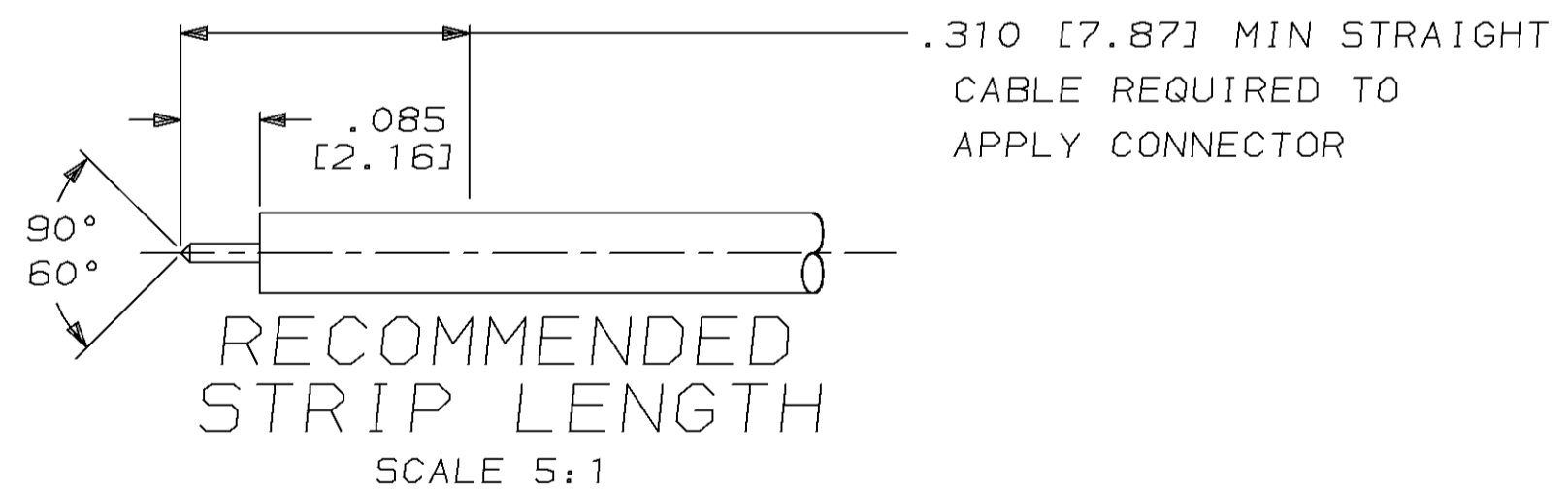
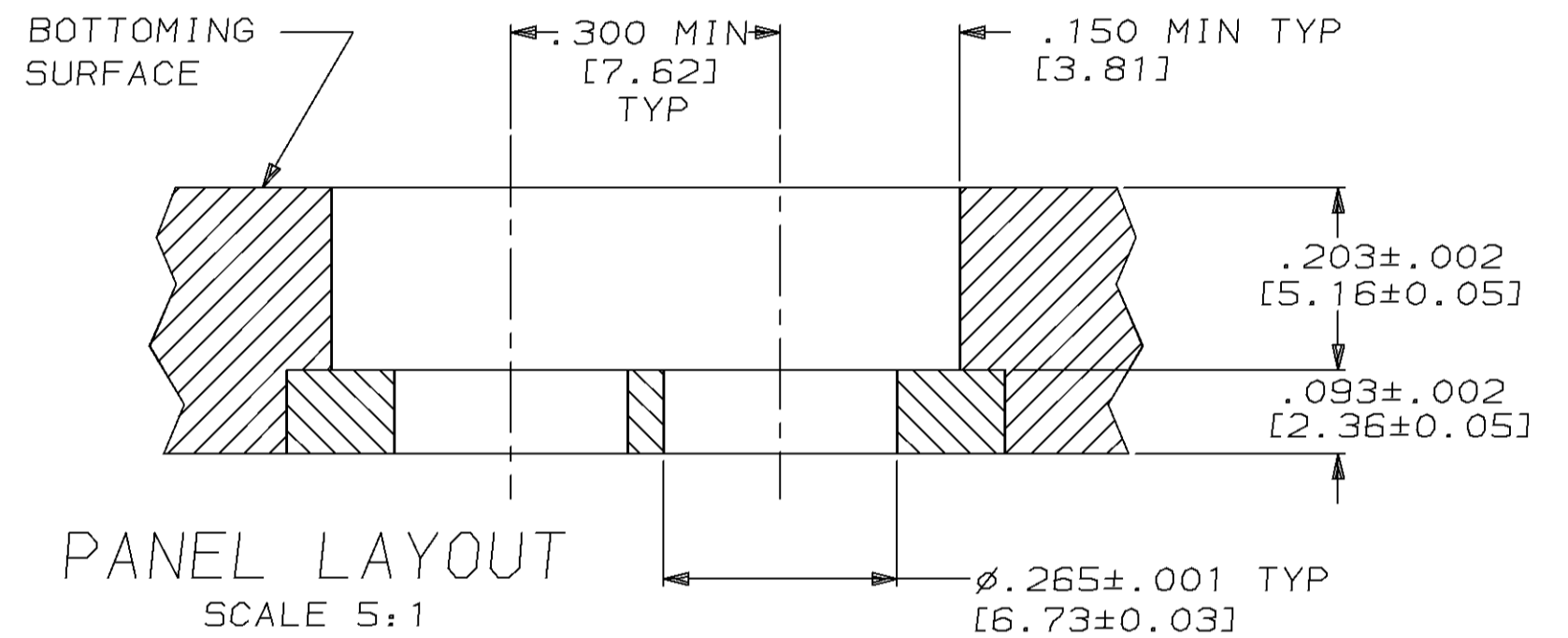


THIS DRAWING IS UNPUBLISHED. RELEASED FOR PUBLICATION
 BY AMP INCORPORATED. ALL RIGHTS RESERVED.

PROD CODE	LOC	DIST	REVISIONS					
			P	LTR	DESCRIPTION	DATE	DWN	APVD
3573	DF	XO						
			B		REVISED PER 0600-4148-95	8-95	CCT	LL



- ① STAINLESS STEEL PER QQ-S-763
- ② BERYLLIUM COPPER PER QQ-C-530
- ③ PTFE PER MIL-P-19468
- ④ STAINLESS STEEL PER ASTM-A-313.
- ⑤ BRASS PER MIL-C-50
- ⑥ GOLD PL PER MIL-G-45204
- ⑦ NICKEL PL PER QQ-N-290
- ⑧ PASSIVATION PER QQ-P-35
- ⑨ FOR USE WITH .047 [1.19] SEMI-RIGID CABLE
- 10. FLOAT: .006 [0.15] RADIAL. .045 [1.14] AXIAL.



413025-1
PART NO.

THIS DRAWING IS A CONTROLLED DOCUMENT FOR AMP INCORPORATED. IT IS SUBJECT TO CHANGE AND THE CONTROLLING ENGINEERING ORGANIZATION SHOULD BE CONTACTED FOR THE LATEST REVISION.		DWN C.C. THOMAS 2-8-95	AMP Incorporated Harrisburg, PA 17105-3608		
DIMENSIONS: INCHES [mm]	TOLERANCES UNLESS OTHERWISE SPECIFIED:	CHK L.L.E 2-17-95	NAME PLUG, FLOATING, BLINDMATE, 2.8mm		
	0 PLC ±-	APVD L.L.E 2-17-95	PRODUCT SPEC -		
	1 PLC ±-		APPLICATION SPEC -		
MATERIAL SEE TABLE	FINISH SEE TABLE		SIZE A2	CAGE CODE 00779	DRAWING NO C-413025
CUSTOMER DRAWING			SCALE 10:1	SHEET 1 OF 1	REV B